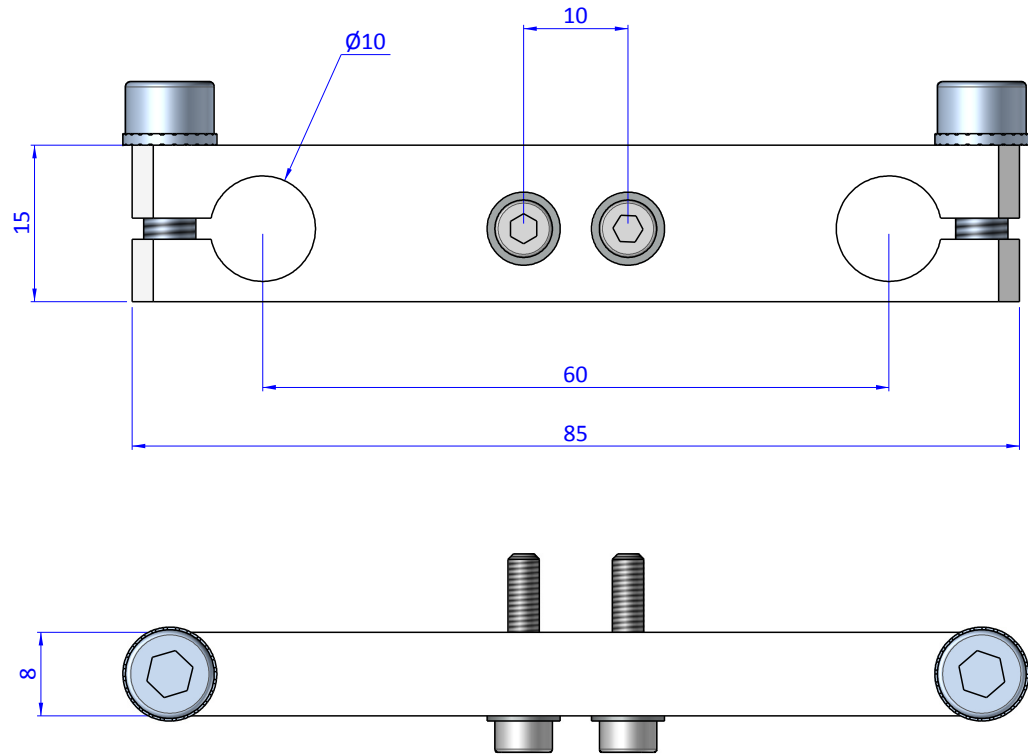
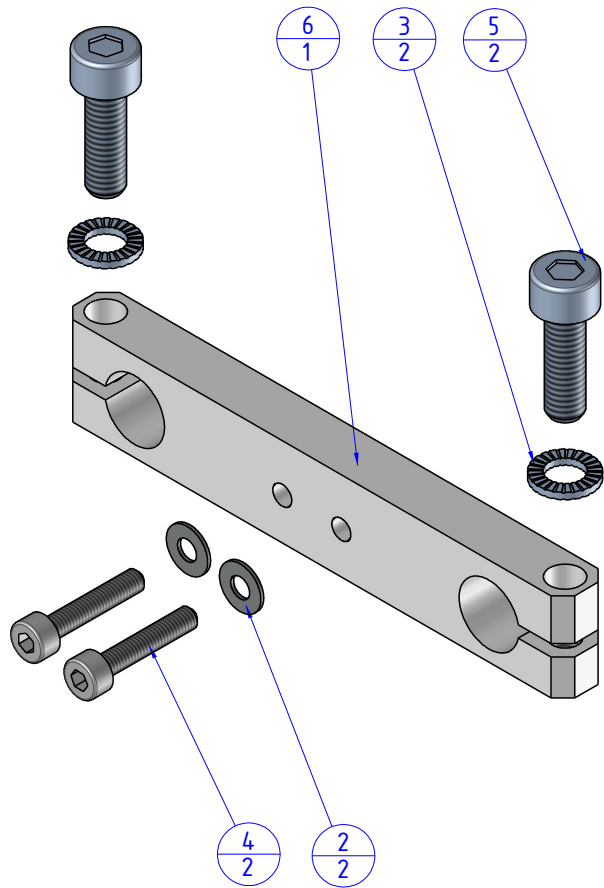


THE PROPERTY OF THE DRAWING IS ESTABLISHED BY LAW. IT IS FORBIDDEN TO PRODUCE OR SHOW IT TO THIRD PARTY, WITHOUT A WRITTEN AGREEMENT.

Item	Name	Q. ty
1	KBH.12.10.60	1
2	R.3	2
3	R.5.SCH	2
4	V.TCE3x16	2
5	V.TCE5x16	2



Format A3

UNI 936-76

		DESIGNED FROM	REVIEW
		FP SERVICES	A
GENERAL TOLERANCE	DESCRIPTION	DATE	WEIGHT
UNI - ISO 2768		22/10/2018	0,034kg
CLASSE f		CODE	CA.KBH.12.10.60
		CA.KBH.12.10.60	